



ECL 10/ECL 10M

Economic Power- Electric Stacker Compact and Reliable Design

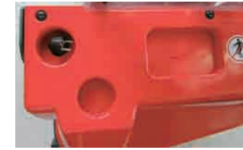
INTRODUCTION

The ECL10M is an economic walkie-electric stacker, with rated capacity of 1000kg/2200lbs and lifting height from 1600mm/63inch to 3500mm/138inch.

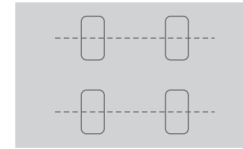
The compact and light design is suitable for a variety low duty applications in warehouses .

ADVANTAGES

- Ideal solution for low-duty applications.
- Built- in charger for high autonomy.
- Battery discharge indicator with automatic lift cut-off function for higher battery lifetime.
- 4-wheel design with sideways tiller for high stability and perfect view.



Built-in charger
The built-in charger makes operations more autonomy and increases the operating range.



Stability
4-Wheel design with sideways tiller for excellent view and maneuverability as well as high stability.



Robust profile
Robust mast with real mast profiles for perfect stability, accuracy and high lifetime.



Powerful battery
2x12V 85Ah powerful VRLA-AGM main-tenance free batteries (option 2x12V 106Ah).



Battery deep discharge protection
Proofed and ergonomic emergency button and discharge indicator, more robust and reliable than other. The included automatic battery protection ensures high lifetime for the batteries.

Proofed components
Proofed components such as sensors, micro-switches, controller and hydraulic power- pack from international brands.

Fulfilling standards
Fulfilling the actual valid European standards, also in ISO 13849, performance level.

Applications
Ideal economic solution for all indoor low duty and occasional stacking operations.



Optional straddle leg
Adjustable straddle leg design, suitable for diverse pallet sizes and more stability.

Economic robust handle
Robust but economic handle with steel housing and plastic coating ensures reliable and comfortable operation.

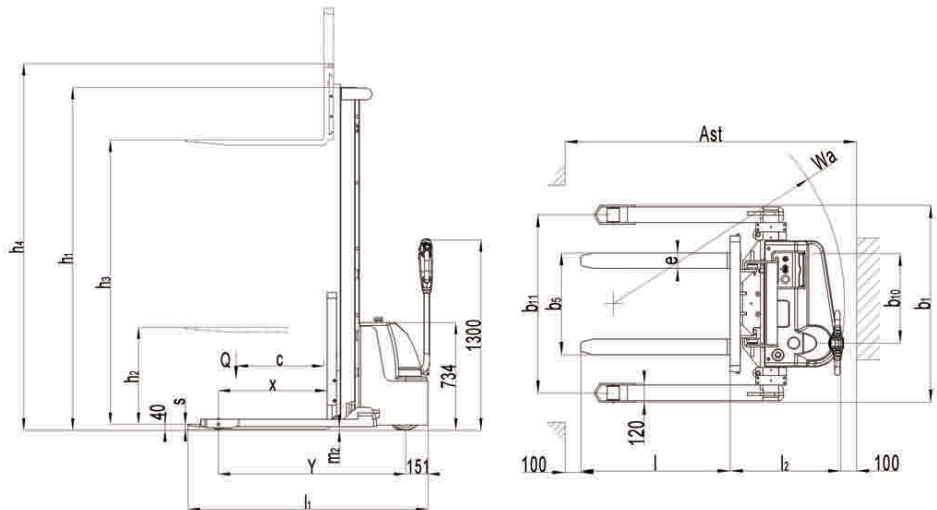
Several masts
2 single mast versions(1600mm/63inch, 2000mm/78.7inch lift height) and one 2-stage duplex mast with 2900mm/114inch, 3200mm/126inch and 3500mm/138inch (All with perfect view through the mast). b5=686mm/27inch and straddle leg version optional. (b5=569mm/22.4inch standard).



Electric Stacker

Other type data

	Manufacturer's type designation		ECL1016	ECL1020	ECL1032	ECL1035	ECL1016 M	ECL1020 M	ECL1032M	ECL1035M
1.2	Manufacturer's type designation									
1.8	Load distance, centre of drive axle to fork	x(mm)	821		809		745		733	
2.1	Service weight	kg	430	450	525	540	676	696	771	786
2.2	Axle loading, laden front/rear	kg	550/890	560/890	590/935	600/940	736/940	756/940	796/975	406/980
2.3	Axle loading, unladen front/rear	kg	335/105	340/110	395/130	405/135	500/176	510/186	540/231	550/236
4.2	Lowered mast height	h1 (mm)	1950	2350	2100	2250	1935	2335	2085	2235
4.3	Free Lift height	h2 (mm)	1530	1930	70	70	1530	1930	70	70
4.4	Lift	h3 (mm)	1530	1930	3140	3440	1530	1930	3140	3440
4.5	Extended mast height	h4 (mm)	1950	2350	3625	3925	2120	2520	3720	4020
4.20	Length to face of forks	l2 (mm)	620		632		688		700	
4.33	Aisle width for pallets 1000X1200 crossways	Ast (mm)	2314		2318		2336		2341	
4.34	Aisle width for pallets 800X1200 lengthways	Ast (mm)	2242		2250		2290		2300	
6.6	Energy consumption acc. to VDI cycle	kWh/h	0.68		0.73		0.71		0.76	



Type sheet for industrial truck acc. to VDI 2198 1KG=2.2LB 1INCH=25.4MM

	Manufacturer's type designation		ECL1029	ECL1029M	
Distinguishing mark	1.2	Manufacturer's type designation			
	1.3	Drive	Battery	Pedestrian	
	1.4	Operator type			
	1.5	Load Capacity / rated load	Q (t)	1.0	
	1.6	Load centre distance	C (mm)	600	
	1.8	Load distance, centre of drive axle to fork	X (mm)	800	733
Weight	1.9	Wheelbase	Y (mm)	1281	
	2.1	Service weight	kg	510	756
	2.2	Axle loading, laden front/rear	kg	580/930	786/970
Tyres, chassis	2.3	Axle loading, unladen front/rear	kg	385/125	530/226
	3.1	Tyres		Polyurethane (PU)	
	3.2	Tire size, front	Ø x w (mm)	220 x 70	
	3.3	Tire size, rear	Ø x w (mm)	Ø80 x 93	
	3.4	Additional wheels(dimensions)	Ø x w (mm)	Ø124 x 60	
	3.5	Wheels, number front/rear(x=driven wheels)		1x+1 / 2	
	3.6	Tread, front	b10 (mm)	529	
Dimensions	3.7	Tread, rear	b11 (mm)	420/535	1130-1500
	4.2	Lowered mast height	h1 (mm)	1950	1935
	4.3	Free Lift height	h2 (mm)	70	70
	4.4	Lift	h3 (mm)	2840	2840
	4.5	Extended mast height	h4 (mm)	3325	3420
	4.9	Height of tiller in drive position min./ max.	h14 (mm)		785/1300
	4.15	Height, lowered	h13 (mm)	85	40
	4.19	Overall length	l1 (mm)	1800	1838
	4.20	Length to face of forks	l2 (mm)	632	700
	4.21	Overall width	b1 (mm)	800	1250
	4.22	Fork dimensions	s/e/l (mm)	60/150/1150	35/100/1150 ¹⁾
	4.25	Distance between fork- arms	b5 (mm)	570/685	282-800
	4.32	Ground clearance, centre of wheelbase	m2 (mm)	29	25
4.33	Aisle width for pallets 1000X1200 crossways	Ast (mm)	2318	2341	
4.34	Aisle width for pallets 800X1200 lengthways	Ast (mm)	2250	2300	
4.35	Turning radius	Wa (mm)		1485	
Performance data	5.1	Travel speed, laden/ unladen	km/h	4.3/4.5	
	5.2	Lift speed, laden/ unladen	m/s	0.11/0.16	
	5.3	Lowering speed, laden/ unladen	m/s	0.13/0.11	
	5.8	Max. gradeability, laden/ unladen	%	5/10	
	5.10	Service brake			Electromagnetic
Electric- Motor	6.1	Drive motor rating S2 60min	kW	0.45	
	6.2	Lift motor rating at S3 7.5%	kW	2.2	
	6.3	Battery acc. to DIN 43531/ 35/ 36 A, B, C, no			no
	6.4	Battery voltage, nominal capacity K5	V/Ah		2X 12/ 85 ²⁾
	6.5	Battery weight	kg		2X 25
	6.6	Energy consumption acc. to VDI cycle	kWh/h	0.73	
Additional data	8.1	Type of drive control			DC- Speed Control
	8.4	Sound level at driver's ear acc. to EN 12053	dB(A)		

For specifications of the other lifting heights, please refer to the other type data. 1) Optional:35/100/950 2) Optional:2x12V/106/Ah

Electric Stackler