

Instruction Manual



Model : NDA450

Note:The Owner/Operator must read carefully and understand all the information presented here before operation

Preface

1. In order to make the users quickly understand the structure and performance features of this product, so as to carry out regular maintenance as well as correct regulation of vehicle, our factory hereby compile this operation instruction sheet as well as spare parts table for users' reference.

2. Read the instruction sheet and parts table carefully before using and make clear the structural performance, Maintenance as well as attentions.

3. The personnel without license cannot operate the drum dumper. Only those qualified personnel with professional training as well as approved by relevant departments and familiar with the structural performance can independently operate the vehicle.

4. The work site of drum dumper shall be flat, solid place with enough loading capacity.

5. Our company will not hold any responsibility for the modification of drum rotator by users without the prior approval of our company

1. Brief Introduction

Safe drum dumping requires well-designed, ergonomic drum handling equipment to reduce risks of injury or property damage. hydraulic Drum Karriers , drum dumpers NDA450 combine incredible strength with simple drum handling by one person. It can help you lift, move and pour plastic, fiber and steel drums, and also can provide controlled dispensing of your drums. With the feature of simple design and easy operation, this all steel construction Hydraulic Drum Dumper is what you need to dump steel & plastic drums that weigh up to 450kg.

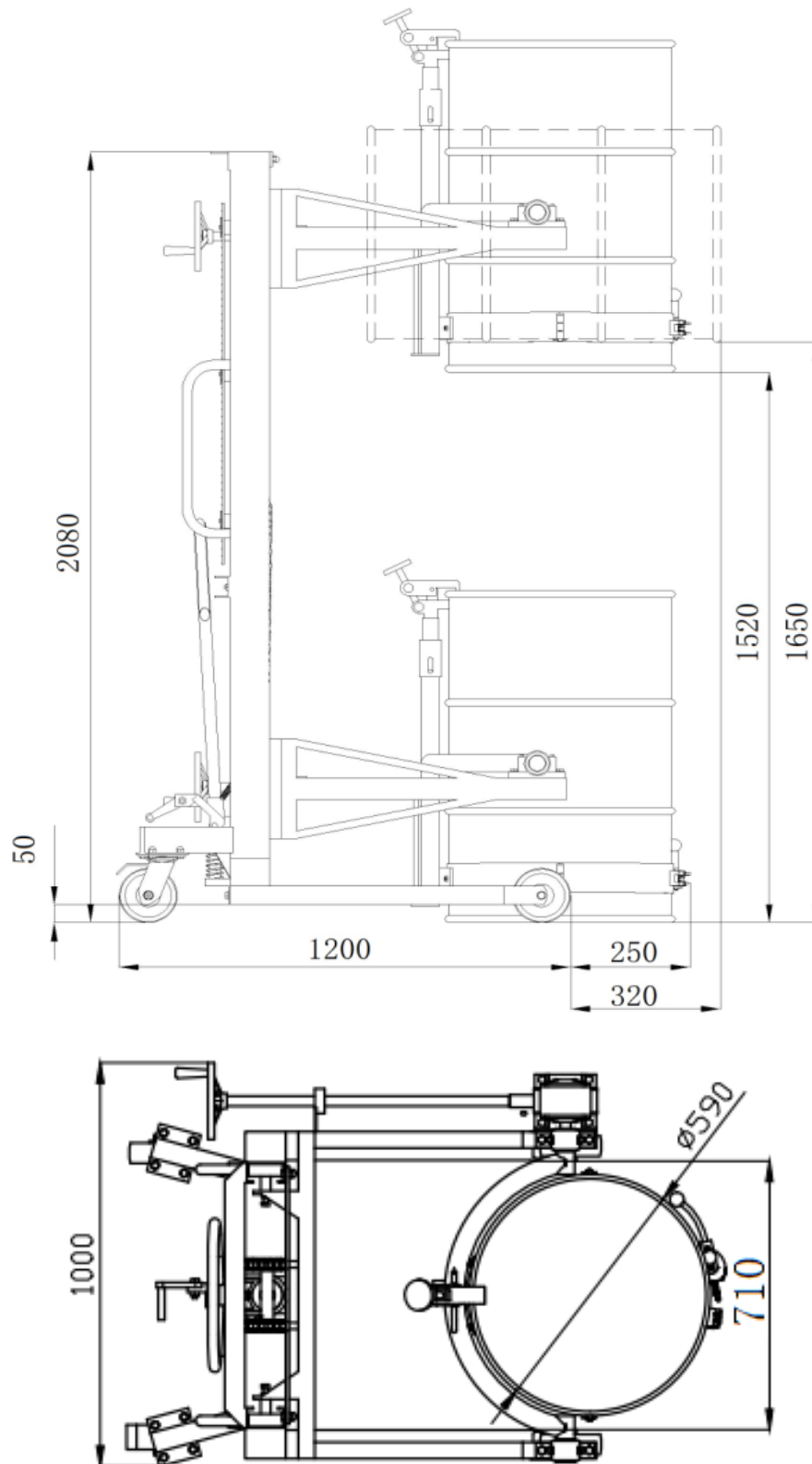
2. Technical Data

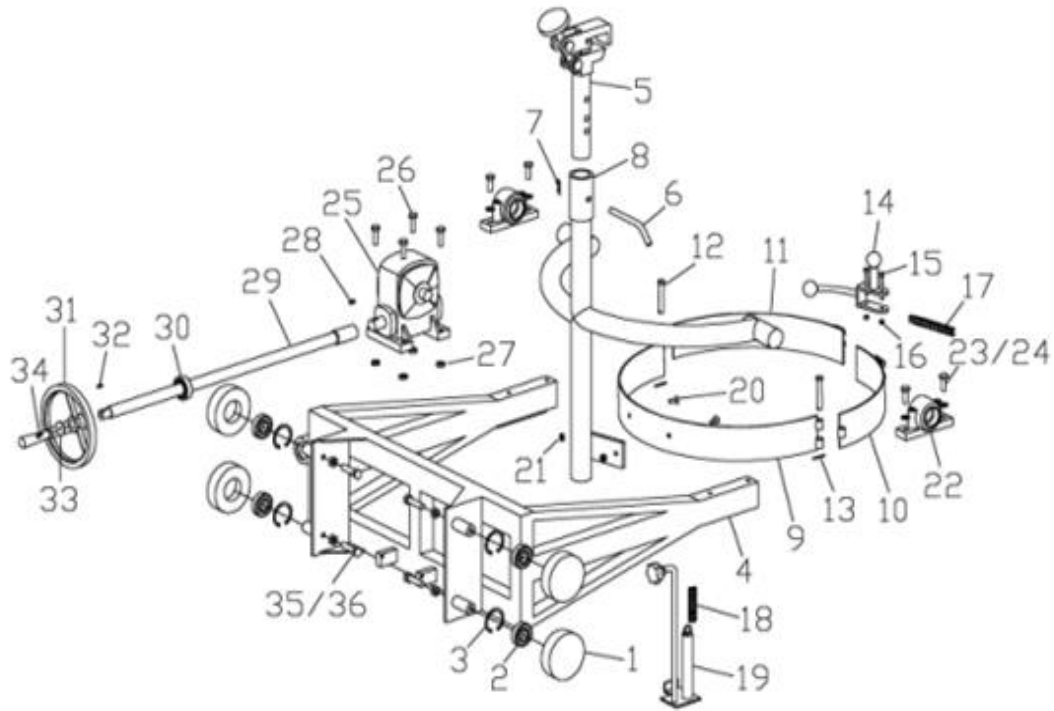
Model		NDA450
Load capacity	kg	450
Lifting height	mm	1520
Pouring height	mm	1650
Caster dimension	mm	Ø150*50
Inner/Outer width of front support legs	mm	735/835
Max. Grade ability (Fully-loaded/no-load)	%	3/5
Overall size	mm	1450*1000*2080

3. Safety operation (Operation of drum dumper)

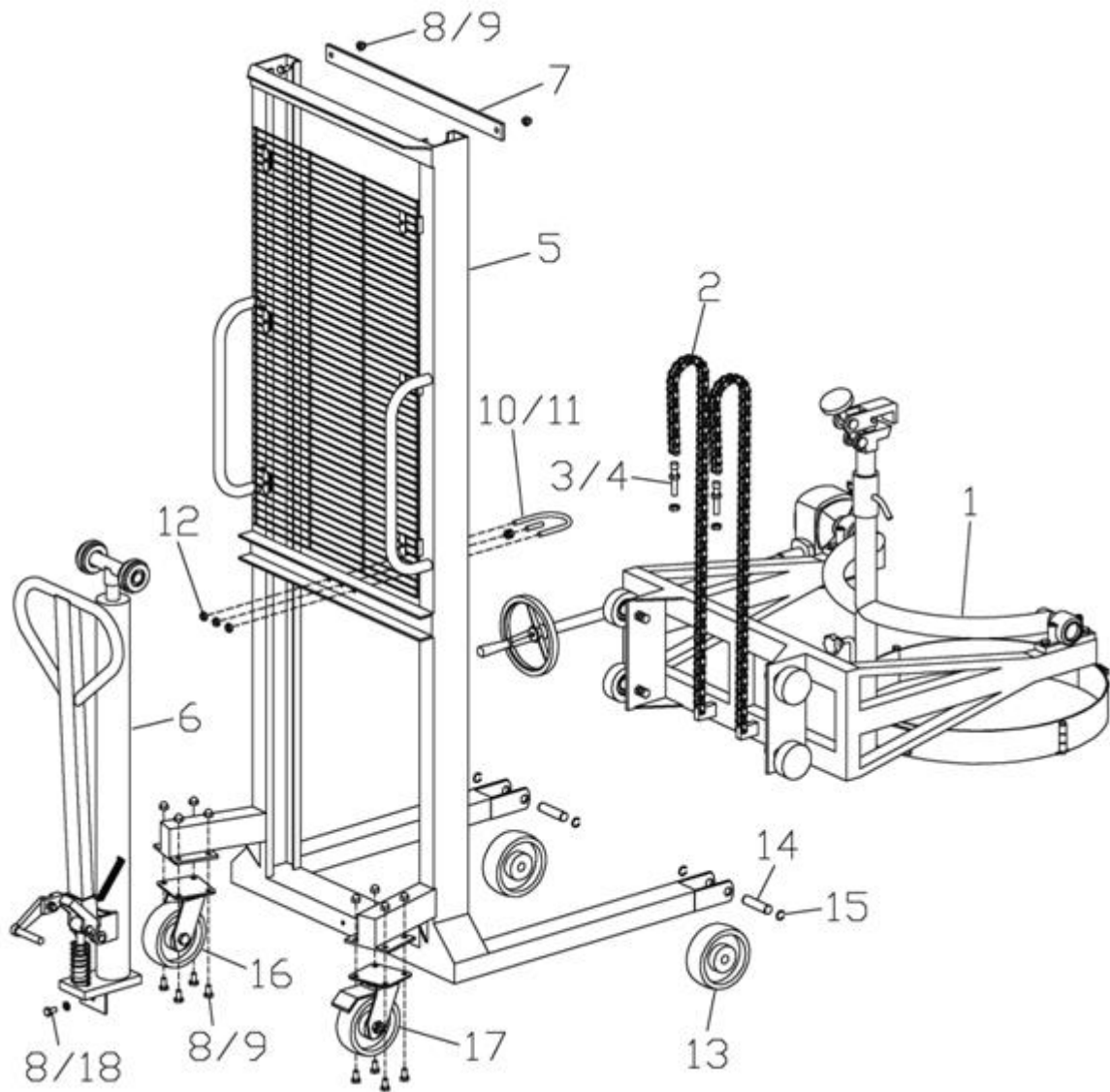
1. Open the anchor ear, adjust the lock ring-pull, making the anchor ear hold tightly the drum which need be transported. The plastic drum should use limiting stopper.
2. It can customize pedal and manual type , lifting the drum to the specified height. It can manually rotate 180 degree.

4. Main Technical Performance and Parameter





NO.	Name	Qty		NO.	Name	Qty
A1	Scroll wheel	4		A19	Drum clasp	1
A2	205 Bearing	4		A20	M8X20 sunk screw	2
A3	φ 52 Hole Stop Collar	4		A21	M8 nut	2
A4	Inner Tower	1		A22	Bearing pedestal	2
A5	Clamp	1		A23	M10X30 bolt	4
A6	Fixed pin	1		A24	φ 10 Flat Gasket	4
A7	R type pin	1		A25	Speed Reducer	1
A8	Clamp frame	1		A26	M10X40 bolt	4
A9	Hoop 1	1		A27	M10 Nut	4
A10	Hoop 2	1		A28	Pin 1	1
A11	Hoop 3	1		A29	Connecting rod	1
A12	Hoop Roller	2		A30	205 Bearing	1
A13	Hoop Pin	2		A31	Hand wheel	1
A14	Fastening Pieces	1		A32	Pin 2	1
A15	M8X15 bolt	2		A33	Gasket	1
A16	M8 Nut	6		A34	M5X10 bolt	1
A17	Fastening chain	1		A35	M12X80 bolt	4
A18	Spring	1		A36	M12 Nut	4



NO.	Name	Qty	NO.	Name	Qty
Y1	Inner frame assembly	1	Y10	Oil cylinder hoop	1
Y2	chain	2	Y11	M10 bolt	1
Y3	M12X60 bolt	2	Y12	M10 nut	5
Y4	M12 nut	4	Y13	Front wheel	2
Y5	Outer frame	1	Y14	Bearing of wheel	2
Y6	Oil cylinder assembly	1	Y15	shaft ring	4
Y7	Limit flat iron	1	Y16	Universal wheel	1
Y8	M10X15 bolt	11	Y17	Brake of wheel	1
Y9	M10 Hat head nut	10	Y18	flat gasket	1

5. Feature Of Hydraulic Drum Dumpers

1. Load capacity 450kg;
2. Wheel stand with brake
3. Combined Eagle-grip structure and Anchorear structure together;
4. Can be operated by one people and manually rotate drums 180 degree;
5. Can keep drums at any angle;
6. The solid steel construction provides stability during transit;
7. Lowers drums to the floor;
8. Suitable for 55 gallon steel drums & 210L rimmed plastic drums;
9. Widely used for chemical plants and food plants for transferring, loading & unloading, charging and compounding materials of fluids, such as dyes, paintings, adhesives, petrol, edible oils, etc
10. Special rolling technology manufacturing "C" type door frame, strong security

6. Maintenance

Weekly inspection

1. Check and screw up bolts and nuts;
2. Add butter to the UPC bearing every week regularly;
3. Change oil every a half year;